

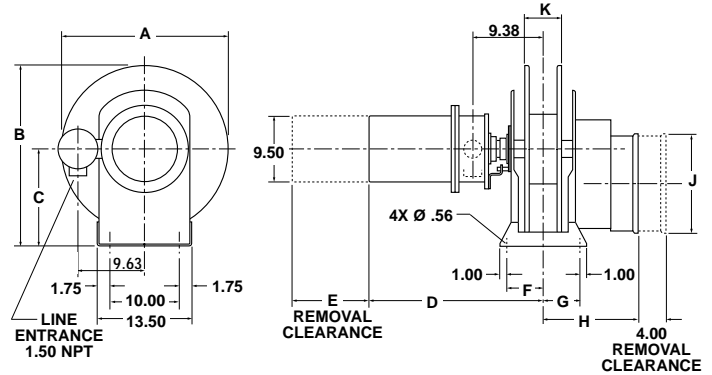
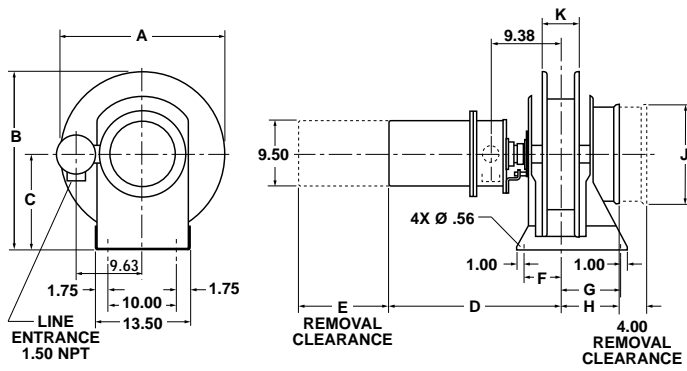
## Series “SZ” Spring-Driven Hazardous Duty Cable Reels

All the features of a Gleason Series “S” cable reel PLUS collector enclosure and cable path designed for use in hazardous locations (NEMA 7, 8 & 9).  
Class I, Groups C & D and Class II, Groups E, F & G, Division 1 & 2.  
Direct or Gear Driven, depending on cable requirements and application.

- Pre-wired, pre-potted leads from collector to NEMA 7–9 junction box for easy wiring.
- Rugged welded steel frame is built to last.
- One-piece slip ring assembly can be removed as a unit. Fast, easy slip ring brush replacement.
- High-quality Safetychange® self contained spring motor.
- Optional Cable Guides with Rollers, Hoop Guides and Cable Stops available.
- Machine mountable.
- Sizes to accommodate wide range of cable sizes and lengths.



# SZ Spring Powered Hazardous Duty Cable Reel



**SZ Reel Dimensions—Direct Drive**

Size	A	B	C	F	G	K
SZ16	16.00	18.50	10.00	5.25	5.25	5.25
SZ18	18.00	20.00	11.00	5.25	5.25	5.25
SZ21	21.00	23.00	12.50	5.25	5.25	5.25
SZ24	24.00	26.00	14.00	5.25	8.75	5.25
SZ28	28.00	30.00	16.00	6.25	9.75	7.25
SZ32	32.00	34.00	18.00	6.25	9.75	7.25

**SZ Reel Dimensions—Gear Drive**

Size	A	B	C	F	G	K
SZ21	21.00	23.00	12.50	5.25	5.25	5.25
SZ24	24.00	26.00	14.00	5.25	8.75	5.25
SZ28	28.00	30.00	16.00	6.25	9.75	7.25
SZ32	32.00	34.00	18.00	6.25	9.75	7.25

**Spring Motor Dimensions—Direct Drive**

Model No.	Dim. "H"	Dim. "J"	Model No.	Dim. "H"	Dim. "J"
SZ16351	7.10	10.56	SZ24803	12.88	14.38
SZ16601	7.10	10.56	SZ24804	15.50	14.38
SZ16621	7.62	14.38	SZ241001	8.50	14.38
SZ16622	10.25	14.38	SZ241002	11.88	14.38
SZ16751	7.62	10.56	SZ28624	16.50	14.38
SZ16801	7.62	14.38	SZ28751	8.62	10.56
SZ18621	7.62	14.38	SZ28752	11.25	10.56
SZ18622	10.25	14.38	SZ28753	13.88	10.56
SZ18751	7.62	10.56	SZ28754	16.50	10.56
SZ18801	7.62	14.38	SZ28801	8.62	14.38
SZ18802	10.25	14.38	SZ28802	11.25	14.38
SZ21621	7.62	14.38	SZ28803	13.88	14.38
SZ21622	10.25	14.38	SZ28804	16.50	14.38
SZ21751	7.62	10.56	SZ281001	9.50	14.38
SZ21752	10.25	10.56	SZ281002	12.88	14.38
SZ21801	7.62	14.38	SZ281003	16.25	14.38
SZ21802	10.25	14.38	SZ281004	19.62	14.38
SZ211001	8.50	14.38	SZ32801	8.62	14.38
SZ24623	12.88	14.38	SZ32802	11.25	14.38
SZ24624	15.50	14.38	SZ32803	13.88	14.38
SZ24751	7.62	10.56	SZ32804	16.50	14.38
SZ24752	10.25	10.56	SZ321001	9.50	14.38
SZ24753	12.88	10.56	SZ321002	12.88	14.38
SZ24801	7.62	14.38	SZ321003	16.25	14.38
SZ24802	10.25	14.38	SZ321004	19.62	14.38

**Spring Motor Dimensions—Gear Drive**

Model No.	Dim. "H"	Dim. "J"	Model No.	Dim. "H"	Dim. "J"
SZ21801	12.62	14.38	SZ28803	18.88	14.38
SZ21802	15.25	14.38	SZ28804	21.50	14.38
SZ21803	17.88	14.38	SZ281001	14.50	14.38
SZ21804	20.50	14.38	SZ281002	17.88	14.38
SZ211001	13.50	14.38	SZ281003	21.25	14.38
SZ211002	16.88	14.38	SZ281004	24.62	14.38
SZ24801	12.62	14.38	SZ32801	14.38	14.38
SZ24802	15.25	14.38	SZ32802	17.88	14.38
SZ24803	17.88	14.38	SZ32803	21.38	14.38
SZ24804	20.50	14.38	SZ32804	24.88	14.38
SZ241001	13.50	14.38	SZ321001	15.25	14.38
SZ241002	16.88	14.38	SZ321002	18.75	14.38
SZ28801	13.62	14.38	SZ321003	22.25	14.38
SZ28802	16.25	14.38	SZ321004	25.75	14.38

**Slip Ring Housing Dimensions**

	23	63	103	143	203	303
	33	83	123	163	243	363
<b>Second Series of Digits in Model Number</b>	43	27	312	412		
		37	420			
		47				
		212				
		220				
		320				
<b>(SZ16—SZ24)</b>						
<b>Dimension "D"</b>	20.00	23.00	25.00	31.00	34.75	41.12
<b>Dimension "E"</b>	8.00	11.00	13.00	19.00	22.63	29.00
<b>(SZ28 &amp; SZ32)</b>						
<b>Dimension "D"</b>	22.00	25.00	27.00	33.00	36.75	43.12
<b>Dimension "E"</b>	8.00	11.00	13.00	19.00	22.63	29.00



**Gleason Reel Corp.**

600 South Clark Street • P.O. Box 26  
 Mayville, WI 53050  
 Phone: 920-387-4120  
 www.gleasonreel.com