



SERIES HH HOSE REELS

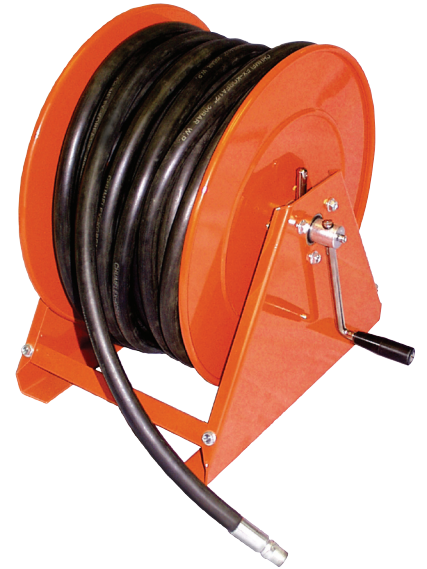
GENERAL PURPOSE INDUSTRIAL USE
MANUAL PULL-OFF, HANDCRANK REWIND

Choose reels designed for 1/2", 3/4" or 1" hose, Standard reels are supplied with EPR seals in the swivel joint, specify application when ordering if standard EPR is not acceptable. Hose is not included with reel, therefore the hose must be purchased separately and matched to reel for your specific application. Full flow shaft and swivel assure maximum product delivery. Input fitting on the swivel joint is the same size as the output fitting on the reel spool.



HANDCRANK REELS FEATURE:

- air, water, oil or grease duty
- Rugged steel construction
- High quality swivel joints designed with seals for each specific fluid application
- Manual pull off, handcrank rewind
- Spool locking pin acts as a holding brake to prevent spool from unwinding when not in use
- Locking pin also acts as an adjustable drag brake to control spool rotational speed during manual hose pull off.
- Heavy duty mounting brackets
- Orange polyester baked-on finish

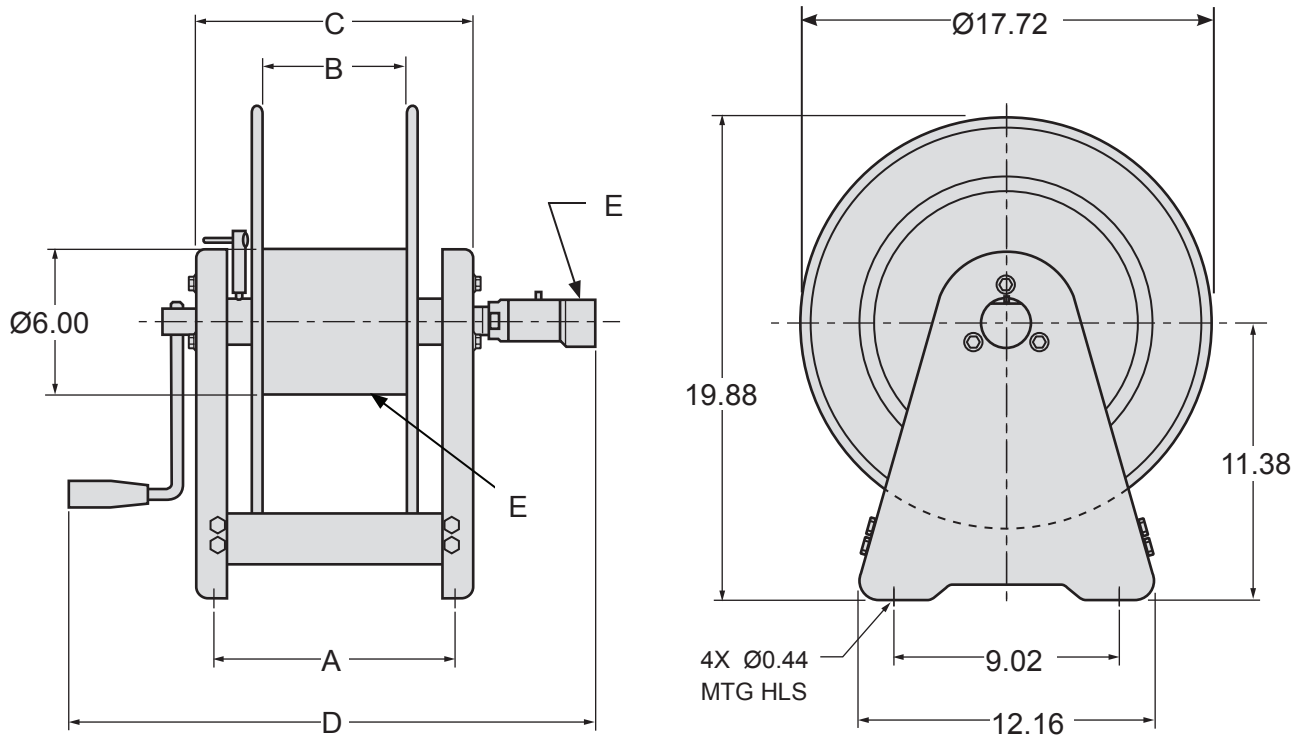


Hose shown for illustration purpose only.
Hose must be ordered separately.

MODEL NUMBER	HOSE I.D. inch	HOSE O.D. inch	MAX PRESSURE psi	LENGTH feet
HH50100L	1/2"	27/32"	1000 psi	100'
HH50200L	1/2"	27/32"	1000 psi	200'
HH50300L	1/2"	27/32"	1000 psi	300'
HH50400L	1/2"	27/32"	1000 psi	400'
HH50100M	1/2"	27/32"	3000 psi	100'
HH50200M	1/2"	27/32"	3000 psi	200'
HH7550L	3/4"	1-3/16"	1000 psi	50'
HH75100L	3/4"	1-3/16"	1000 psi	100'
HH75100M	3/4"	1-3/16"	3000 psi	100'
HH100100L	1"	1-3/8"	300 psi	100'

SERIES HH HOSE REEL DIMENSIONS

All dimensions in inches. For millimeters, multiply inches by 25.4.



SERIES HH DIMENSIONS						
MODEL	A	B	C	D	E	Max. Pressure psi
HH50100L	9.75	6.00	8.75	19.00	1/2 NPTF	1000 psi
HH50200L	15.75	12.00	14.75	25.00	1/2 NPTF	1000 psi
HH50300L	21.75	18.00	20.75	31.00	1/2 NPTF	1000 psi
HH50400L	25.75	22.00	24.75	35.00	1/2 NPTF	1000 psi
HH50100M	9.75	6.00	8.75	19.00	1/2 NPTF	3000 psi
HH50200M	15.75	12.00	14.75	25.00	1/2 NPTF	3000 psi
HH7550L	9.75	6.00	8.75	19.00	3/4 NPTF	1000 psi
HH75100L	15.75	12.00	14.75	25.00	3/4 NPTF	1000 psi
HH75100M	15.75	12.00	14.75	25.00	3/4 NPTF	3000 psi
HH100100L	21.75	18.00	20.75	31.00	1/2 NPTF	300 psi



Brake Products, Inc.
 16751 Hilltop Park Place
 Chagrin Falls, Ohio 44023
 Phone: (440) 543-7962
 Fax: (440) 543-7963
www.brakeproducts.com