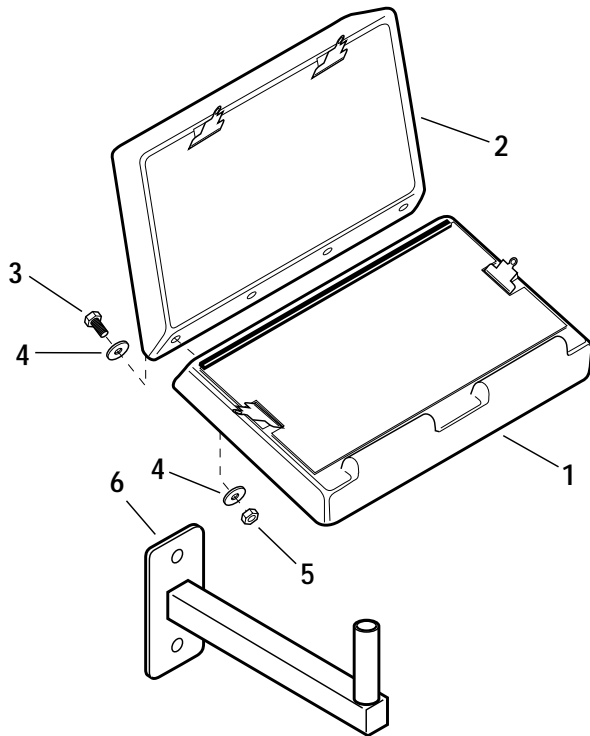




Assembly Instructions A900SW & A1000SW Wall Mounted Document Display



Refer to illustration at left. *NOTE: The unit you are assembling may look slightly different than the illustration.*

1. Attach writing surface (1) to display surface (2) using bolts, flat washers and hex nuts (3, 4, 5). Tighten securely.
2. Securely mount wall mount (item 6) to wall, column or other suitable support. Make sure nothing will interfere with proper positioning of writing/display panel assembly.
3. Slide assembled writing surface/display surface on top of wall mount.



Workplace Solutions

P.O. Box 26 • 600 South Clark St.
Mayville, WI 53050
Phone: 920-387-4120
Fax: 920-387-4189