

RATCHET LOCK USE

Engage ratchet lock by pulling cable out to desired position and letting it retract SLOWLY until lock engages. To release lock, quickly pull cable out a short distance and allow it to begin to retract—it operates like a window shade. Locking feature may be turned off by turning knob on side of reel.

DANGER

DO NOT allow cable to retract in an uncontrolled manner. Always guide cable back to reel. Failure to do so can result in damage to reel or personal injury.

SERVICE

REGULAR MAINTENANCE

1. Reel is factory lubricated for life. No additional lubrication is required.
2. Periodically check cable for wear. **If wear is detected, cable should be replaced immediately.** If cable replacement is required, order cable Assembly Kit No.5 which contains cable and related parts, hardware and instructions. See Parts List (inside) for details.

SPRING REPLACEMENT

Spring motors are self-contained for safe and easy handling. If spring motor replacement is required, it should be replaced as a unit by ordering Spring Motor Assembly Kit No. 1 which contains the spring motor, spool, shaft & bushings in a sealed canister. See Parts List (inside) for details.

DANGER

DO NOT attempt to remove spring motor from its canister. Doing so can result in damage to reel or personal injury.

RATCHET LOCK REPLACEMENT

For your convenience, the ratchet lock assembly has been included in two separate replacement kits. Order either the Hardware Assembly Kit No. 6, or the RH Housing Assembly Kit No. 2. See Parts List (inside) for details.



Workplace Solutions

P.O. Box 26 • 600 South Clark St.
Mayville, WI 53050
Phone 920-387-5195

INSTALLATION & MAINTENANCE INSTRUCTIONS

Model SD-2030-GRN-C2 STATIC DISCHARGE REEL

INSTALLATION

CAUTION

Be sure reel base is securely grounded to mounting surface. Check for continuity following installation. On painted surfaces, remove paint at bolt location, use external tooth lockwashers, or run ground wire from reel base to grounded object. Failure to ground will prevent reel from performing its intended function and could result in personal injury.

Mount reel to grounded, metal surface using four holes in mounting base. To minimize wear on cable and cable guide, reel should be mounted in direct line with work so that cable is pulled out as straight as possible during use. See figures 1 & 2.

Figure 1

Avoid pulling cable out of reel at an angle.

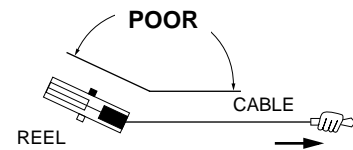
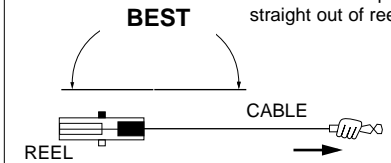


Figure 2

For best results and long cable life, mount reel so that cable can be pulled straight out of reel.



TENSION ADJUSTMENT

INCREASE TENSION if reel will not completely wind cable so that cable stop reaches guide.

1. Allow cable to retract as far as possible.
2. Place wrench on flats of shaft. Turn shaft **counter-clockwise** until cable stop reaches guide.

DECREASING TENSION is NOT recommended and should not be necessary as the reel is shipped with minimum tension required to wind installed cable.

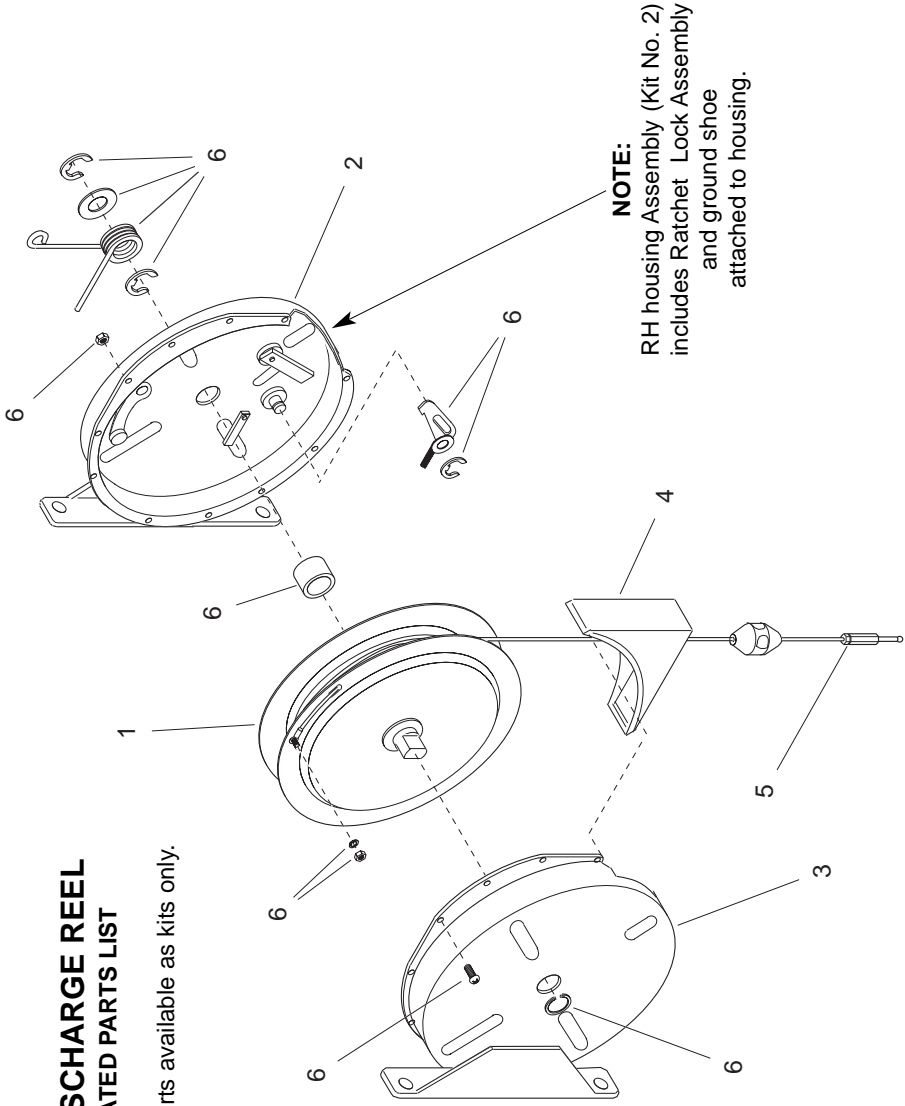
1. Turn ratchet lock to "OFF" (knob is located on side of reel).
2. Place wrench on flats of shaft.
3. Hold shaft **firmly** with wrench. Depress spring on opposite side of reel.
4. Allow shaft to turn SLOWLY in **clockwise** direction until desired tension is achieved. If shaft will not turn in clockwise direction UNASSISTED, reel is at minimum tension and further tension reduction should not be attempted.

DANGER

DO NOT allow spring to unwind in an uncontrolled manner. Doing so can result in damage to reel or personal injury.

STATIC DISCHARGE REEL ILLUSTRATED PARTS LIST

Replacement parts available as kits only.



STATIC DISCHARGE REEL

REPLACEMENT PARTS KITS

REFERENCE NUMBER	KIT NUMBER	KIT DESCRIPTION
1	032068	SPRING MOTOR ASS'Y: Includes Spring Motor, Spool, Mainshaft & Bushings in sealed canister.
2	609259	RH HOUSING ASS'Y: Includes RH Housing Half, Ratchet Lock Ass'y and Ground Shoe (attached to housing).
3	609257 609021 035245	LH HOUSING ASSEMBLY STATIC DISCHARGE REEL LABEL CAUTION TAG
4	032010	CABLE GUIDE
5	609256 609067	CABLE ASSEMBLY – 32 ft. cable and stop GROUNDING PLUG
6	G3050-K06	HARDWARE PACKAGE: Includes Spacer, Torsion Spring, M4 x 14mm Slotted Machine Screws, M4 Hex Nuts, Retaining Rings, Extension Spring and Ratchet Lock Assembly.