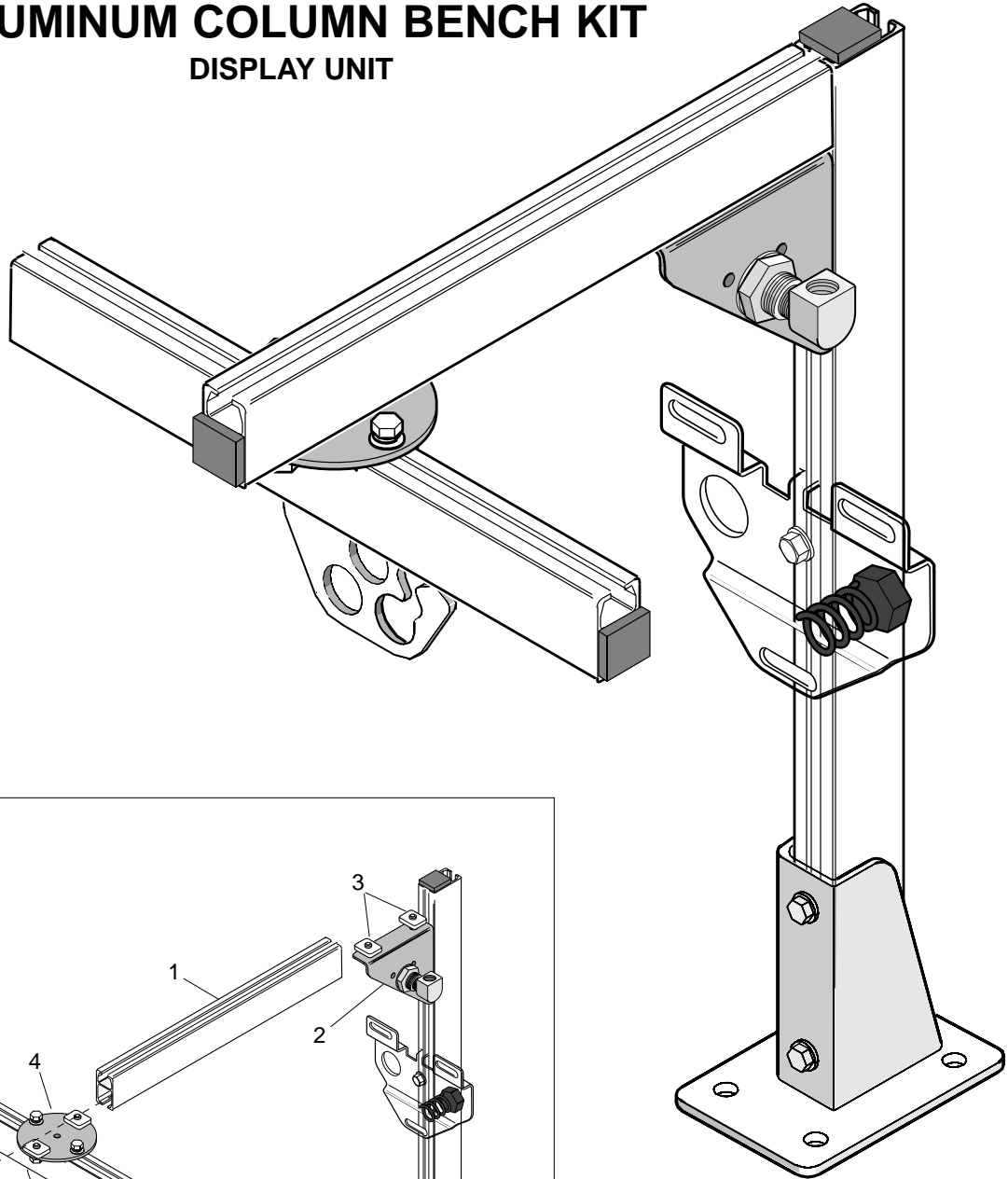




Workplace Solutions

ALUMINUM COLUMN BENCH KIT DISPLAY UNIT



ASSEMBLY

Kit is shipped in three parts. Partial assembly required.

1. Slide horizontal rail (1) onto angle bracket (2). Securely tighten track nuts (3).
2. Slide hanger disk (4) onto horizontal rail. Position as desired and tighten track nuts.
3. If desired, use C-clamp (not provided) to clamp to workbench for demonstration.